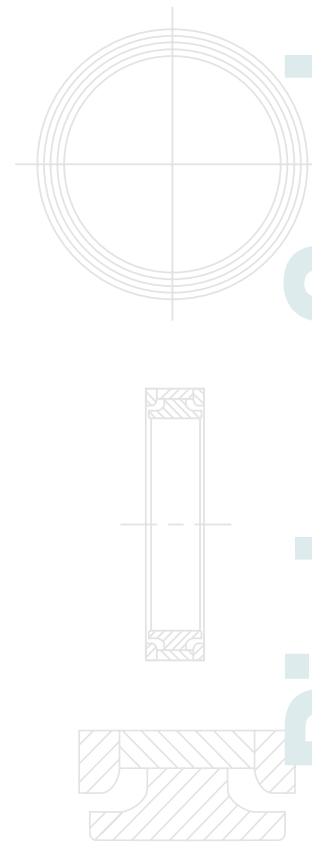


O-Rings & Kits
Wipers
Compounds
Custom Parts
Specialty Parts
Services
Wear Guides
Rod Seals

Piston Seals

QUALITY | VALUE | SERVICE



Piston Seals



Five decades of perfect fits.



You may be in a business with large manufacturing systems, but it can all come down to the quality of a little thing like a seal. In our business, seals are the biggest deal.

We've built a five decade reputation for precision, reliability and service, and our dedicated Original Equipment Manufacturers have made J Royal an industry leader in fluid power, chemical processing, agricultural, food & beverage, plumbing and numerous other markets.

We're as demanding of our supplies as you are of yours. We source our products from around the world, and we've developed exceptionally strong relationships with a diverse supplier roster.

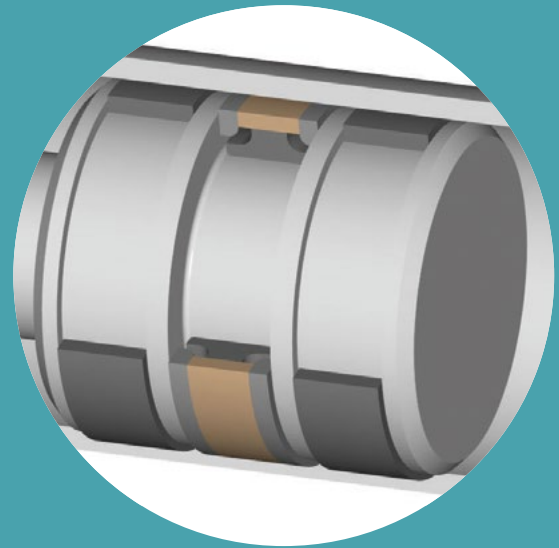
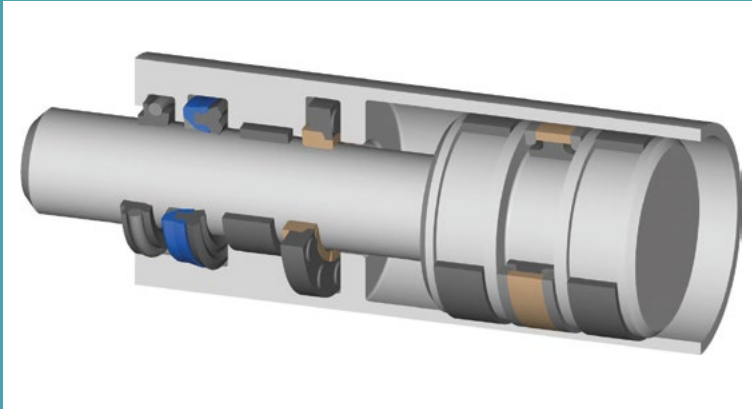
Custom needs? We can help you with engineering, prototyping, testing and industry certification, no matter how challenging your project. Our one-stop efficiencies also include JIT/Kanban programs, pre-production and kitting, special marking and packaging options and more.

For more information, quick quotations, expert consultation and responsive customer service call us at 800 626 8807.

PISTON SEALS

LOADED U-CUP	PRESSURE 6,000 PSI	MATERIALS Urethane HP Urethane Hytrel™ Nitrile Viton™ EPDM	FEATURES Rectangular seal Scraper lip	APPLICATIONS Mobile hydraulic Agricultural General industrial Low pressure sealing
	TEMPERATURE RANGE -50° – +250° F			
	VELOCITY 3.2 feet/sec			
ASSYMETRICAL UNLOADED U-CUP	PRESSURE 5,000 PSI	MATERIALS Urethane HP Urethane Hytrel™ Nitrile Viton™ EPDM	FEATURES Improved seal stability Improved wear resistance	APPLICATIONS Agricultural General industrial
	TEMPERATURE RANGE -50° – +250° F			
	VELOCITY .07 feet/sec			
PTFE	PRESSURE 5,000 PSI	MATERIALS Glass filled PTFE Moly PTFE Carbon Graphite PTFE Bronze PTFE	FEATURES Low friction Long service life	APPLICATIONS Mobile hydraulic Agricultural General industrial Heavy duty
	TEMPERATURE RANGE -65° – +400° F			
	VELOCITY 3.2 feet/sec			
T-SEAL	PRESSURE 5,000 PSI	MATERIALS Nitrile Viton™ EPDM HNBR Backup: Nylon Backup: PTFE Backup: PEEK	FEATURES Square seal for stability Low pressure sealing Anti extrusion rings Dynamic sealing surface	APPLICATIONS Retrofit standard industrial O-Ring grooves Limited axial length Wide base available
	TEMPERATURE RANGE 65° – +400° F			
	VELOCITY 0.4 feet/sec			





QUALITY | VALUE | SERVICE

O-RING LOADED PISTON SEAL	PRESSURE 5,000 PSI	MATERIALS Urethane HP Urethane Hyrel™	FEATURES Square seal Back beveled lip Energized seal Retrofit Mil-G-5514F O-Ring grooves Low pressure seal ability	APPLICATIONS Mobile hydraulic Agricultural Heavy duty Vacuum High pressure Bi-directional sealing Heavy duty hydraulic
	TEMPERATURE RANGE -50° – +250° F			
	VELOCITY 0.3 feet/sec			
URETHANE PISTON SEAL	PRESSURE 6,000 PSI	MATERIALS Urethane	FEATURES Bi-directional sealing Grooves prevent blow-by Energized seal	APPLICATIONS Earthmoving equipment Forklift Agricultural equipment Stabilizer Standard hydraulic cylinders Cranes Presses
	TEMPERATURE RANGE -65° – +250° F			
	VELOCITY 0.7 feet/sec			
CAPPED T-SEAL	PRESSURE 10,000 PSI	MATERIALS Nitrile Viton™ EPDM HNBR Backup: Nylon Backup: Delrin Cap: PTFE Cap: filled PTFE	FEATURES Low pressure sealing Long life Low friction Anti extrusion rings Dynamic sealing surface	APPLICATIONS Mobile hydraulic Heavy duty
	TEMPERATURE RANGE -65° – +400° F			
	VELOCITY 3.2 feet/sec			
GROOVED PISTON SEAL	PRESSURE 5,000 PSI	MATERIALS Nitrile Viton™ Bronze PTFE Glass/Moly PTFE Graphite PTFE Carbon Graphite PTFE	FEATURES Bi-directional sealing Grooves prevent blow-by Energized seal	APPLICATIONS Piston accumulators Medium duty hydraulic cylinders General purpose High temperature High pressure Low speed rotary
	TEMPERATURE RANGE -65° – +400° F			
	VELOCITY 0.7 feet/sec			

NOTE: Capabilities shown in this brochure are directly related to design tolerances. Please consult with J Royal for your specific application.

Piston Seals

Why Industry Leaders Rely on J Royal

GLOBAL REACH – LOCAL RELATIONSHIPS

For over 60 years, J Royal has provided quality sealing solutions to a diverse group of markets. Our knowledgeable staff is highly regarded in the industry for its ability to consistently provide optimal design recommendations and its commitment to building long-standing, prosperous relationships. What sets J Royal apart is its broad product base, unbeatable product knowledge, extensive logistics and distribution capabilities, and progressive engineering skills, all supported by global resources.

THE J ROYAL ADVANTAGE

Our products fit nearly every category:

- O-Rings
- Wipers
- Precision Metal Products
- Machined Plastic Parts
- Compounds
- Custom Molded Parts
- Piston Seals
- Rod Seals
- Standard & Custom Seals

PARTNER OF CHOICE

J Royal has the team to not just meet your needs but surpass your expectations. From local sales support and design assistance to quotation and quality assurance, we are ready to support you as an integral member of your supply chain.



**NORTH CAROLINA
CORPORATE OFFICE**
2441 Salem Park Drive
Winston-Salem, NC 27127
336.794.0400 PHONE
800.626.8807 TOLL FREE
336.794.0401 FAX

ALABAMA
180 Twin Creek Drive
Talladega, AL 36078
336.794.0400 PHONE
800.626.8807 TOLL FREE
336.794.0401 FAX

© 2014, J Royal Co., Inc. Rev 5.17

LIMITED WARRANTY J Royal Co. ("Seller") warrants that its products ("Goods") will perform in accordance with their specifications; that the goods will be free from manufacturing defects for a period of twelve (12) months from the date of delivery of the goods to Buyer; and that the goods will be as specified by Buyer in the purchase order. Seller should have the right to elect to either refund the purchase price for any defective goods or replace any defective goods, provided that the goods were used in the manner for which they were manufactured. Seller does not warrant that the goods are fit for any particular purpose. Seller should have no obligation to refund the purchase price or replace goods that are rendered defective by a Buyer or a third party after they leave Seller's place of shipment.

LIMITED LIABILITY Seller's liability for its goods is limited to their terms set forth in Seller's express warranty set forth above, in no event shall Seller's liability exceed the total purchase order price. Seller is not assuming any liability for any indirect, collateral, special, incidental or consequential losses or damages suffered by Buyer, or by any end-user or other third party, including but not limited to, lost profits, loss of business reputation and/or lost business opportunity, for any possible cause of action or claim arising out of or related to the goods sold to Buyer, even if Seller has been advised of the possibility of such loss or damage.