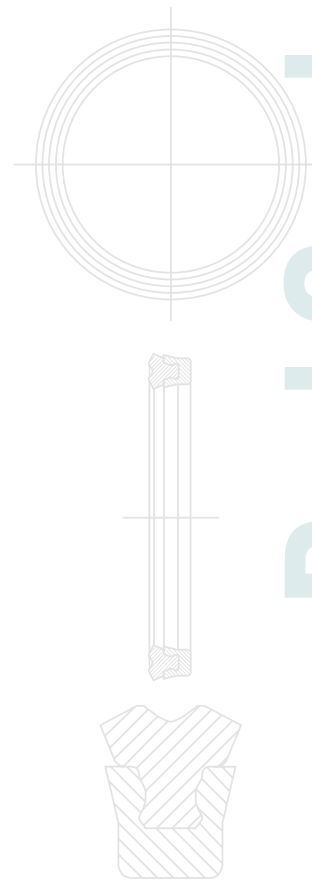


O-Rings & Kits
Wipers
Compounds
Custom Parts
Specialty Parts
Services
Wear Guides
Piston Seals

Rod Seals

QUALITY | VALUE | SERVICE



Rod Seals



Nothing gets past our seals!



There's no room for compromise if your business relies on lasting, consistent quality seals. J Royal is an industry leader in meeting the demanding requirements of Original Equipment Manufacturers in the areas of fluid power, chemical processing, agricultural, food & beverage, plumbing and other markets for seals and related custom parts.

Our standards are unsurpassed. We source our seals from respected domestic and international companies renowned for their quality and engineering programs. We stock both standard and custom parts for our customers, assuring you a constant supply to meet your exact demands.

J Royal also provides extensive value-added services, including JIT/Kanban programs, pre-production and MRO kitting, special marking and packaging options and more. Call us about your special needs.

For specific material recommendations, please refer to our compounds brochure. For additional information, contact our responsive customer service department at 800 626 8807.

ROD SEALS

ASSYMETRICAL UNLOADED U-CUP



PRESSURE
6,000 PSI

TEMPERATURE RANGE
-50° – +250° F

VELOCITY
3.2 feet/sec

MATERIALS
Urethane
Hytrel™

FEATURES
Pressure energized seal
Back beveled lip
Bump heel
Film breaking

APPLICATIONS
Mobile hydraulic
Agricultural
General industrial

BEVELED LOADED U-CUP



PRESSURE
6,000 PSI

TEMPERATURE RANGE
-50° – +250° F

VELOCITY
3.2 feet/sec

MATERIALS
Urethane
Hytrel™
Nitrile
Viton™

FEATURES
Energized seal
Back beveled lip
Film breaking

APPLICATIONS
Mobile hydraulic
Agricultural
General industrial
Medium duty cycle

DEEP LOADED U-CUP



PRESSURE
6,000 PSI

TEMPERATURE RANGE
-50° – +250° F

VELOCITY
3.2 feet/sec

MATERIALS
Urethane
Hytrel™
Nitrile
Viton™

FEATURES
Energized seal
Improved extrusion resistance
Improved stability

APPLICATIONS
Mobile hydraulic
Agricultural
General industrial
High duty cycle

DOUBLE LIP U-CUP



PRESSURE
6,000 PSI

TEMPERATURE RANGE
-50° – +250° F

VELOCITY
3.2 feet/sec

MATERIALS
Urethane
Hytrel™
Nitrile*
Viton™*
HNBR
Low-temp nitrile*
Carboxylate nitrile*

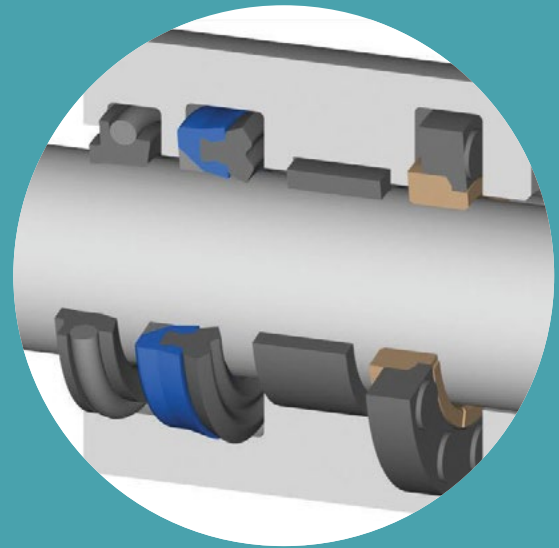
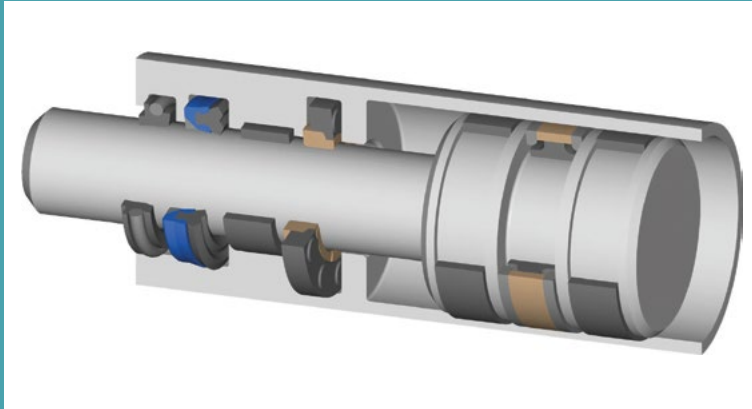
FEATURES
Low compression set
Secondary lip
Extrusion resistant base
Low-temp sealing

APPLICATIONS
Heavy duty
Mobile hydraulic
Telescopic cylinder
High duty cycle

*Lip material



Viton™ is a trademark of The Chemours Company FC, LLC.



QUALITY | VALUE | SERVICE

DOUBLE LIP U-CUP WITH ANTI-EXTRUSION RING



PRESSURE
10,000 PSI

TEMPERATURE RANGE
-50° – +250° F

VELOCITY
3.2 feet/sec

MATERIALS
Urethane
Hytrel™
Nitrile*
Viton™**
HNBR
Low-temp nitrile*
Carboxylate nitrile*

FEATURES
Low compression set
Secondary lip
Anti extrusion ring
Extrusion resistant base
Low-temp sealing

APPLICATIONS
Heavy duty
Mobile hydraulic
High pressure
High duty cycle
Pressure spikes
Large extrusion gaps

*Lip material

SPRING ENERGIZED



PRESSURE
10,000 PSI

TEMPERATURE RANGE
-450° – +550° F

VELOCITY
3.2 feet/sec

MATERIALS
UHMWPE
PTFE
PEEK
S/S spring

FEATURES
Low compression set
Secondary lip
Low-temp sealing
Low friction
Widest P/T range
Custom design

APPLICATIONS
Petro-chemical
Low friction
Extreme temperatures
Corrosive fluids
High duty cycle

STANDARD BUFFER



PRESSURE
6,000 PSI

TEMPERATURE RANGE
-50° – +250° F

VELOCITY
3.2 feet/sec

MATERIALS
Filled PTFE
Nitrile

FEATURES
Protects rod seal from pressure spikes
Lower friction, longer life
Vents back pressure

APPLICATIONS
Any application requiring secondary sealing to reduce effects of pressure spikes
Medium duty cycle

PREMIUM BUFFER



PRESSURE
10,000 PSI

TEMPERATURE RANGE
-50° – +250° F

VELOCITY
3.2 feet/sec

MATERIALS
Filled PTFE
Nitrile

FEATURES
Protects rod seal from pressure spikes
Lower friction, longer life
Vents back pressure

APPLICATIONS
Any application requiring secondary sealing to reduce effects of pressure spikes
High duty cycle
Large rod size

NOTE: Capabilities shown in this brochure are directly related to design tolerances. Please consult with J Royal for your specific application.

Rod Seals

Why Industry Leaders Rely on J Royal

GLOBAL REACH – LOCAL RELATIONSHIPS

For over 60 years, J Royal has provided quality sealing solutions to a diverse group of markets. Our knowledgeable staff is highly regarded in the industry for its ability to consistently provide optimal design recommendations and its commitment to building long-standing, prosperous relationships. What sets J Royal apart is its broad product base, unbeatable product knowledge, extensive logistics and distribution capabilities, and progressive engineering skills, all supported by global resources.

THE J ROYAL ADVANTAGE

Our products fit nearly every category:

- O-Rings
- Wipers
- Precision Metal Products
- Machined Plastic Parts
- Compounds
- Custom Molded Parts
- Piston Seals
- Rod Seals
- Standard & Custom Seals

PARTNER OF CHOICE

J Royal has the team to not just meet your needs but surpass your expectations. From local sales support and design assistance to quotation and quality assurance, we are ready to support you as an integral member of your supply chain.



**NORTH CAROLINA
CORPORATE OFFICE**
2441 Salem Park Drive
Winston-Salem, NC 27127
336.794.0400 PHONE
800.626.8807 TOLL FREE
336.794.0401 FAX

ALABAMA
180 Twin Creek Drive
Tallahassee, AL 36078
336.794.0400 PHONE
800.626.8807 TOLL FREE
336.794.0401 FAX

© 2014, J Royal Co., Inc. Rev 5.17

LIMITED WARRANTY J Royal Co. ("Seller") warrants that its products ("Goods") will perform in accordance with their specifications; that the goods will be free from manufacturing defects for a period of twelve (12) months from the date of delivery of the goods to Buyer; and that the goods will be as specified by Buyer in the purchase order. Seller should have the right to elect to either refund the purchase price for any defective goods or replace any defective goods, provided that the goods were used in the manner for which they were manufactured. Seller does not warrant that the goods are fit for any particular purpose. Seller should have no obligation to refund the purchase price or replace goods that are rendered defective by a Buyer or a third party after they leave Seller's place of shipment.

LIMITED LIABILITY Seller's liability for its goods is limited to their terms set forth in Seller's express warranty set for above, in no event shall Seller's liability exceed the total purchase order price. Seller is not assuming any liability for any indirect, collateral, special, incidental or consequential losses or damages suffered by Buyer, or by any end-user or other third party, including but not limited to, lost profits, loss of business reputation and/or lost business opportunity, for any possible cause of action or claim arising out of or related to the goods sold to Buyer, even if Seller has been advised of the possibility of such loss or damage.